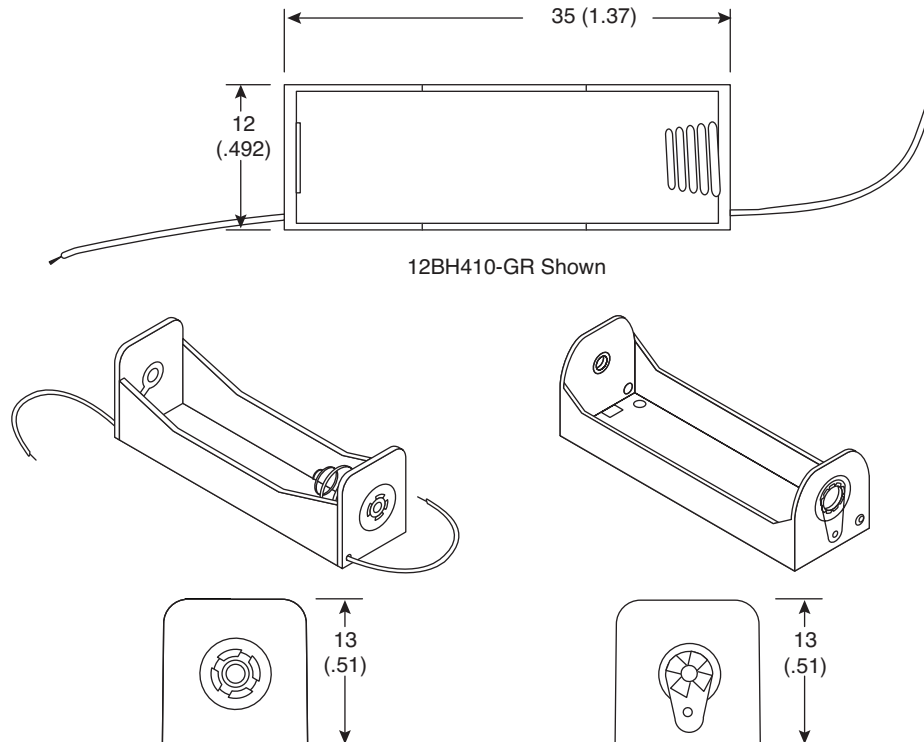


# 1 "N" Battery Holder with Leads or Solder Lugs

12BH510-GR, 12BH511-GR

Date Last Revised: 06-20-07



Dimensions: mm (in.)

SPECIFICATIONS	
<b>Cell:</b>	Holds 1N
<b>Body:</b>	Molded, black plastic
<b>Springs &amp; rivets:</b>	Nickel plated
Corrosion resistant	
Choice of 6 inch leads (12BH510) or solder lugs (12BH511)	
RoHS Compliant	

Available from Mouser Electronics  
1-800-346-6873 / [www.mouser.com](http://www.mouser.com)

EPD-200657